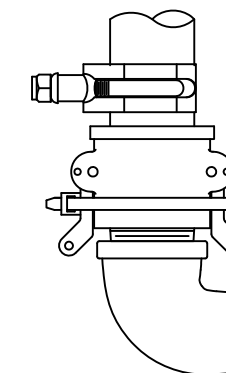
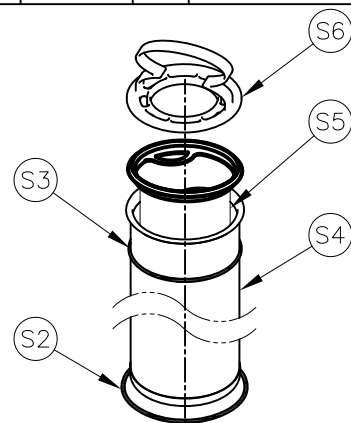


NOZZLE SCHEDULE					
MARK	SIZE	TYPE	RATING	NECK	SERVICE
N1	1"	WAND/CAM & GROOVE CONNECTOR	-	-	INLET
N2	1"	WAND/CAM & GROOVE CONNECTOR	-	-	OUTLET
N3	1/4"	NPTI	-	-	PRESSURE GAUGE AT FILTER
N4	1/4"	NPTI	-	-	PLUGGED PORT IN LID

REVISIONS				
REV	DESCRIPTION	BY	ECO	DATE
A	NEW DRAWING	CLI	0084060	4/12/2013

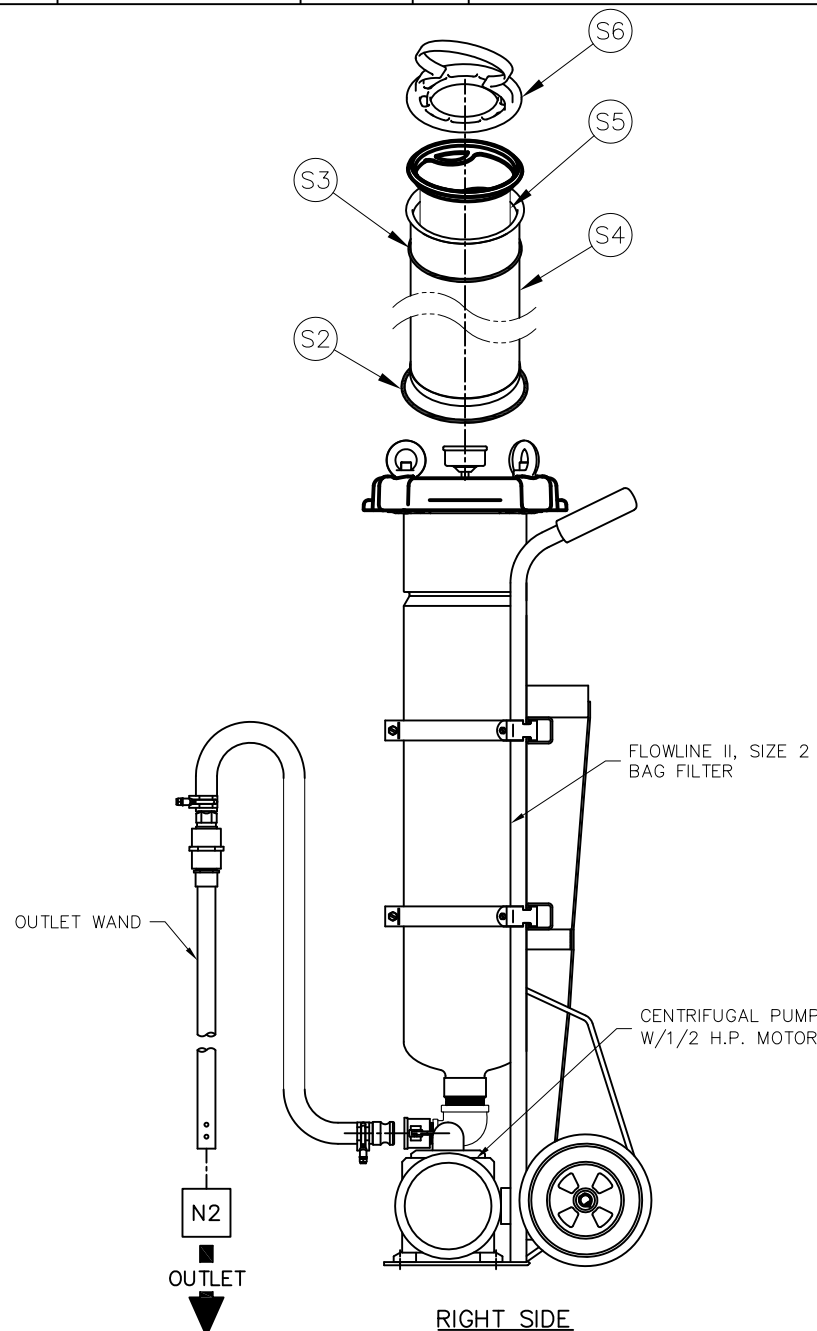
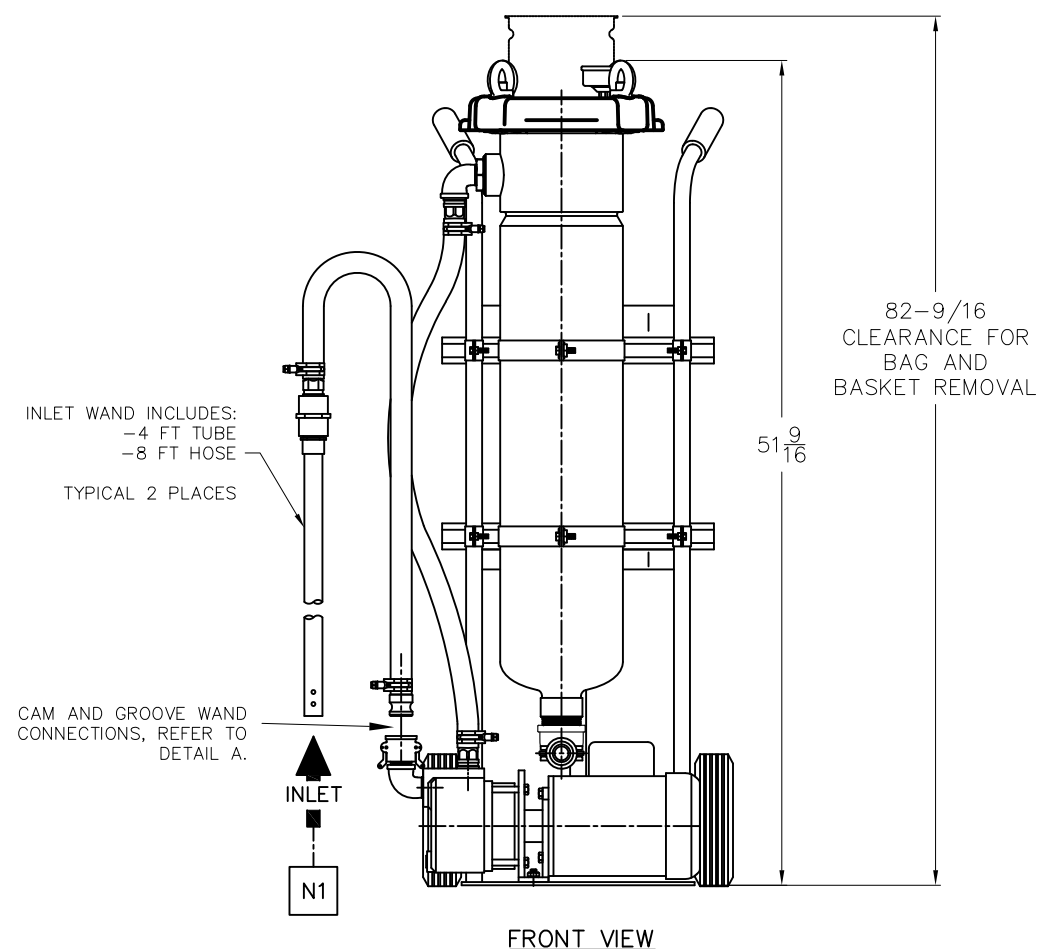


ALONG WITH SECURING HANDLES WITH SUPPLIED PINS, IT IS RECOMMENDED TO ALWAYS SECURE HANDLES WITH APPROPRIATE ZIP TIES.

DETAIL A  
SECURING CAM AND GROOVE COUPLING, TYPICAL IN 2 PLACES

ITEM	QTY	UM	PART NUMBER	DESCRIPTION
S6	1	EA	RPC0000012	HOLD DOWN, LCSBV
S5	1	EA	VARIES	BAG FILTER MEDIA
S4	1	EA	WEE0000009	RESTRAINER BASKET, #2 SIZE 316 S.S.
S3	1	EA	RPC0000004	O-RING, RESTRAINER BASKET, BUNA-N
S2	1	EA	X811445	O-RING, LID SEAL FLOWLINE II, BUNA-N

SPARE PARTS LIST



NOTES:

- INLET/OUTLET CONNECTIONS ARE 1" NPTI FITTED WITH NYLON CAM AND GROOVE COUPLINGS. SUCTION AND DISCHARGE WANDS ARE COUPLED AT THESE TWO POINTS. IT IS RECOMMENDED THAT THE CAM AND GROOVE COUPLERS ARE LOCKED WITH THE SUPPLIED PINS AND CONSTRAINED WITH ZIP TIES. SEE DETAIL A.
- PUMP OPERATING PARAMETERS:  
 MAXIMUM WORKING PRESSURE: 75 PSI  
 TEMPERATURE RANGE: 40° TO 180° F  
 ELECTRICAL REQUIREMENTS: 115 VAC/9A @ 60 HZ
- UNIT WEIGHT (APPROX.)  
 EMPTY: 185lbs (84 kg)  
 FULL (WATER): 243lbs (110 kg)
- FILTER AND PUMP SEALS ARE BUNA-N.

CUSTOMER INFO	
NAME	
P.O. NO.	
TAG NO.	
S.O. NO.	
PART NO.	F3F000004-B

ITEM	QTY	UM	PART NUMBER	DRAWING NUMBER	DESCRIPTION
1	1	EA	F3F000004-BA	F3F000004-BA	FLOWASH BASIC FILTER CART WITH BUNA SEALS

BILL OF MATERIALS

DRAWN BY <b>C.IMANSE</b> SCALE AS DRAWN RESTRICTION RESTRICTED SHEET 1 OF 1 PROJECTION THIRD ANGLE	<b>EATON</b> FILTRATION, LLC DESIGN CENTER ISELIN, NEW JERSEY, USA • PORTAGE, MICHIGAN, USA		
TITLE FLOWASH BASIC FILTER CART			
DATE 4/11/2013	SIZE B	DWG FILENAME F3F000004-B[1]	REV A
<small>EATON CORPORATION - CONFIDENTIAL AND PROPRIETARY NOTICE TO PERSONS RECEIVING THIS DRAWING AND/OR TECHNICAL INFORMATION          THIS DOCUMENT, INCLUDING THE DRAWING AND INFORMATION CONTAINED THEREON IS CONFIDENTIAL AND IS THE EXCLUSIVE PROPERTY OF EATON AT ANY TIME. BY TAKING THE POSSESSION OF THIS DOCUMENT THE RECIPIENT ACKNOWLEDGES AND AGREES THAT THIS DOCUMENT CANNOT BE USED IN ANY MANNER ADVERSE TO THE INTEREST OF EATON AND THAT NO PORTION OF THIS DRAWING MAY BE COPIED OR OTHERWISE REPRODUCED WITHOUT THE PRIOR WRITTEN CONSENT OF EATON, IN THE CASE OF CONFLICTING CONTRACTUAL PROVISIONS, THIS NOTICE SHALL GOVERN THE STATUS OF THIS DOCUMENT.          2014 EATON CORPORATION - ALL RIGHTS RESERVED.</small>			